



ENVASES SANZ BELDA, S.L.

Tel.: 34 96 236 02 32 - calidad@envasesanzbelda.es - www.envasesanzbelda.es
Pol. Ind. San José. Avda, Valencia, parc. 7 - Apdo. de Correos 46 - 46812 Aielo de Malferit. Valencia. (España)



Technical comercial data

R-1.35 T.R-1.25

Serie ROSCA – Versión 28-02-2024

TECHNICAL DATA:

Material: PP copolymer of first quality, suitable for contact with food according to current regulations.

Colours: White standard. Consult for other colours.

Useful Volume: 1.35 litres

Volume to the edge: 1.40 litres

Weight of the tub: 64 g. approx.

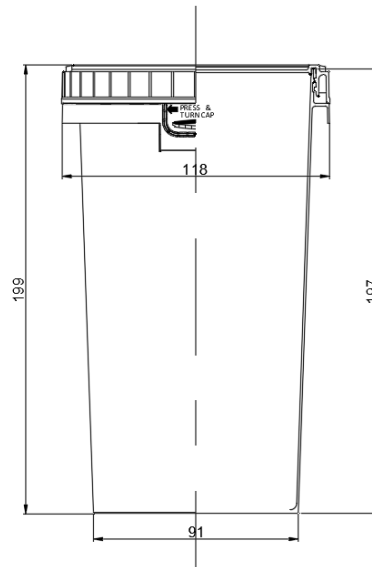
Weight of the lid: 24 g. approx.

Total Weight: 88 g. approx.

Design surface photographic finish 150 x 305 mm (height x perimeter)



MEASUREMENTS:



Measurements in millimetres

GROUPING OF TRANSPORT:

Tubs: 5.184 tubs per pallet
144 tubs per box, this serves as a packaging of transportation

Box dimension: 370 x 370 x 760

Pallet dimensions: 1095 x 1460 x 2430 (see drawing)

Lids: 288 per box, this serves as a packaging of transportation

Box dimension: 355 x 355 x 640

